




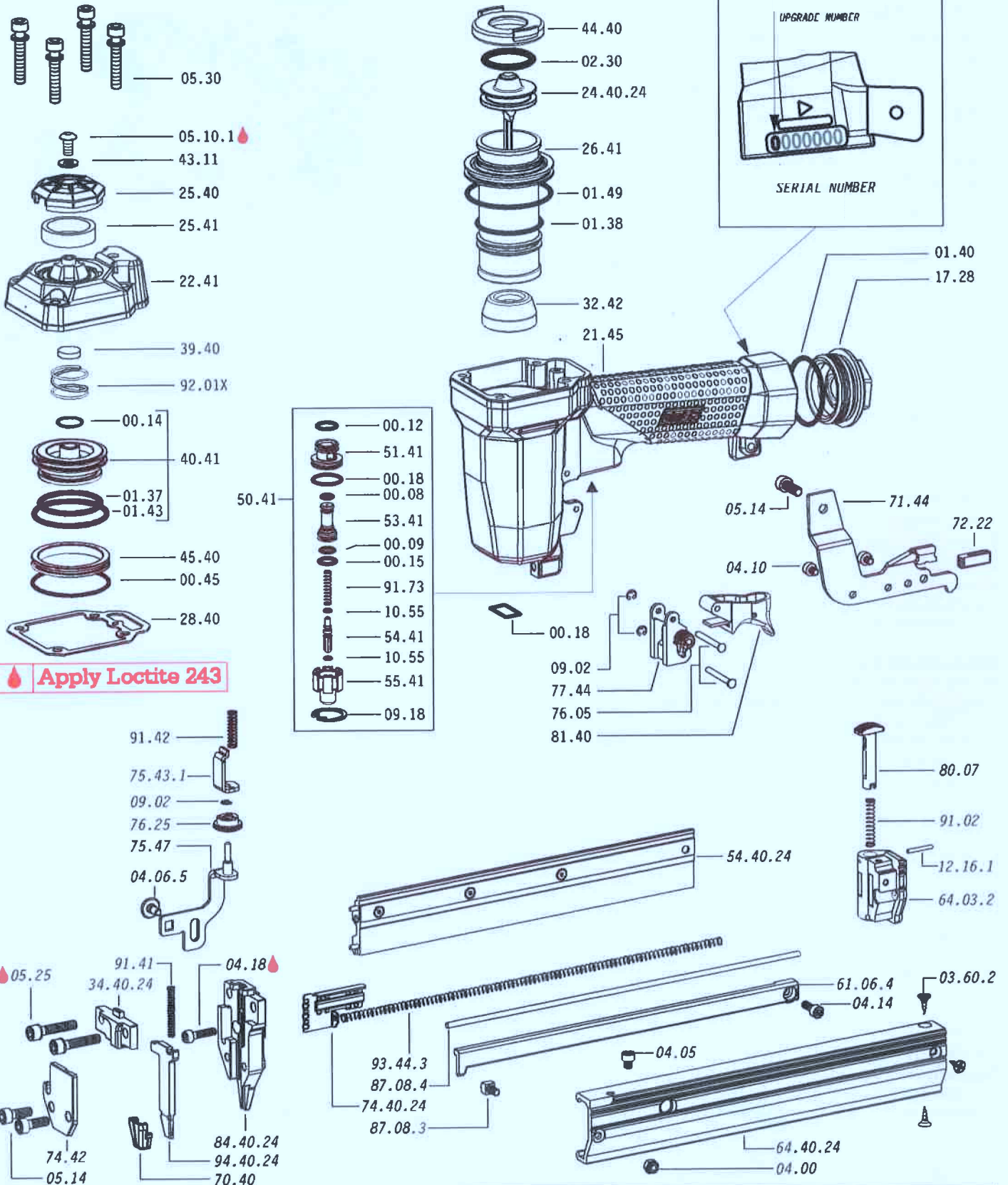
14.32

USE, MAINTENANCE & SPARE PARTS MANUAL



TECHNICAL DATA		Cod. 1421430
Usable lengths mm	13 ÷ 32	Type of Fastener Brads 14 
Magazine capacity, no. of fasteners	100	
Working pressure	5 ÷ 7.5 bar 70 ÷ 105 psi	
Air consumption litres/shot	0.45	
Weight kg	1.43	
Dimensions mm	274 x 58 x 219	
Sound pressure at work station EN 12549:1999 ISO 11201:1995	83.1 dB(A)	
Emitted sound power EN 12549:1999 ISO 3744:1994	92.9 dB(A)	
Weighted mean value of vibration on the grip EN 28662:1992 ISO 5349:1986 ISO 8662-11	Sequential <6.4 m/s ² Bump 6.06 m/s ²	July 2020

SPARE PARTS



EQUIPMENT



07.25



07.30



07.40



001

14.32

cod. 1421430

SPARE PARTS

Cod.	Description
00.08	O-Ring
00.09	O-Ring
00.12	O-Ring
00.14	O-Ring
00.15	O-Ring
00.18	O-Ring
00.45	O-Ring
01.37	O-Ring
01.38	O-Ring
01.40	O-Ring
01.43	O-Ring
01.49	O-Ring
02.30	O-Ring
03.60.2	Screw
04.00	Nut
04.05	Screw
04.06.5	Screw
04.10	Screw
04.14	Screw
04.18	Screw
05.10.1	Screw
05.14	Screw
05.25	Screw
05.30	Screw
07.25	Hex. bar wrench
07.30	Hex. bar wrench
07.40	Hex. bar wrench
09.02	Elastic ring
09.18	Elastic ring
10.55	O-Ring
12.16.1	Pin
17.28	Inlet cap
21.45	Body
22.41	Head
25.40	Exhaust deflector
25.41	Silencer
26.41	Cylinder
28.40	Head gasket
32.42	Bumper
39.40	Exhaust seal
40.41	Valve ass'y
43.11	Washer
44.40	Gasket
45.40	Ring
50.41	Trigger valve ass'y
51.41	Trigger valve housing
53.41	Valve piston
54.41	Trigger valve
55.41	Bush
61.06.4	Right Guide
64.03.2	Cap
70.40	Contact tip
71.44	Support
72.22	Slider-stop
74.42	Nose plate guide
75.43.1	Contact arm
75.47	Safety
76.05	Pin
76.25	Regulator
77.44	Safety guide
80.07	Latch
81.40	Trigger
87.08.3	Support
87.08.4	Pin
91.02	Spring
91.41	Spring
91.42	Spring
91.73	Spring
92.01X	Spring
93.11	Spring
93.44.3	Spring
24.40.24	Driver
34.40.24	Driver Guide
54.40.24	Magazine
64.40.24	Slider
74.40.24	Pusher
84.40.24	Nose
94.40.24	Nose plate
D01	Oiler

O-RINGS

